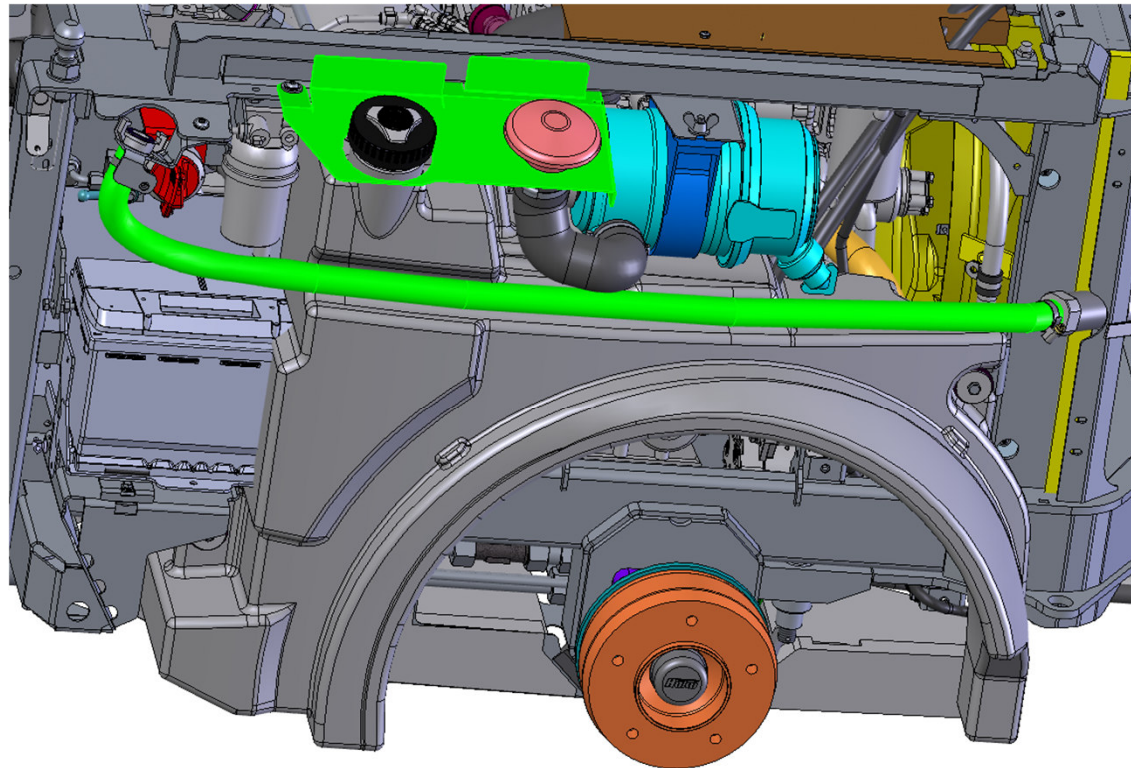


Citymaster 650 1470.15

12.0.2 Disassembly of the fuel tank



- Remove the cladding parts at the rear right.
- Empty the fuel tank completely.
- Remove the circulating water hose.
- Remove the sheet metal of the fuel filling nozzle and air intake nozzle.

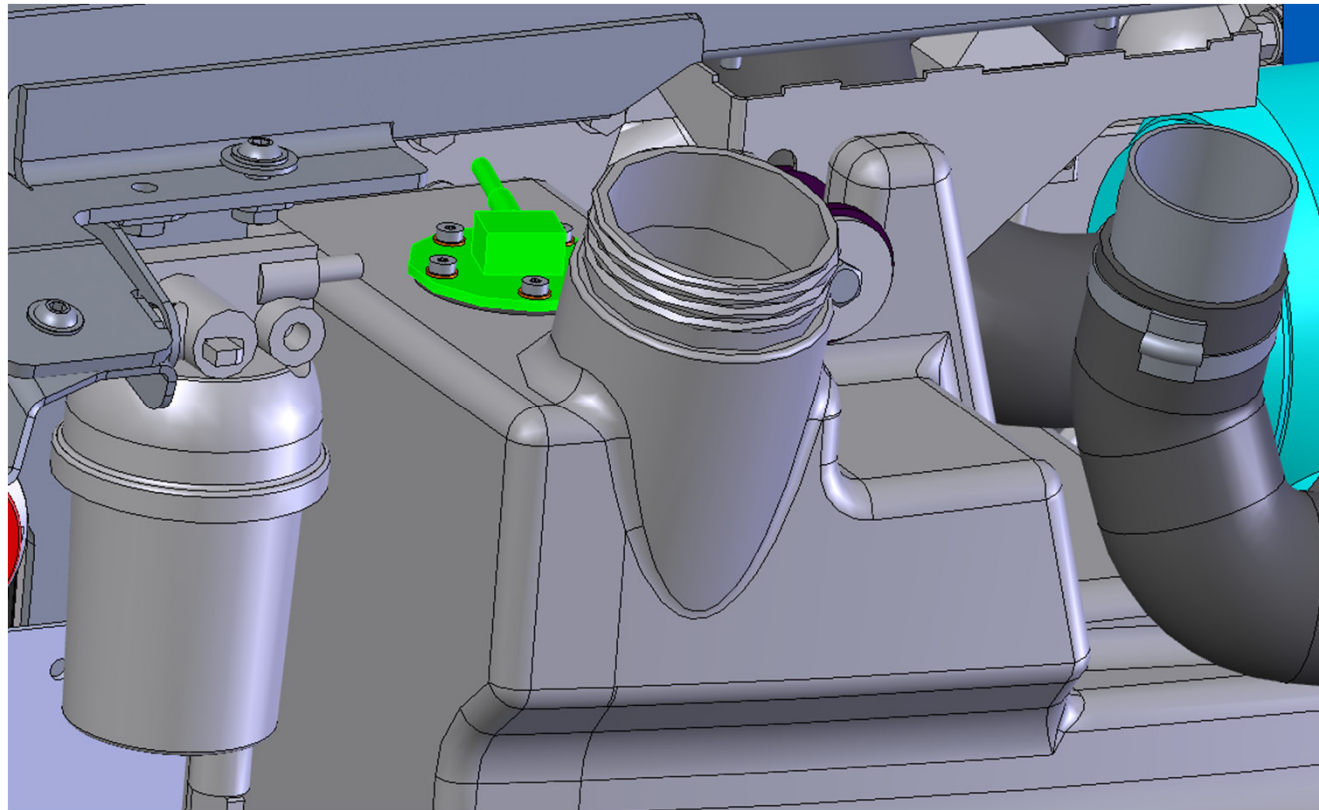


Citymaster 650 1470.15

12.0.2 Disassembly of the fuel tank



- Remove the plug-in connection of the fuel level sensor.

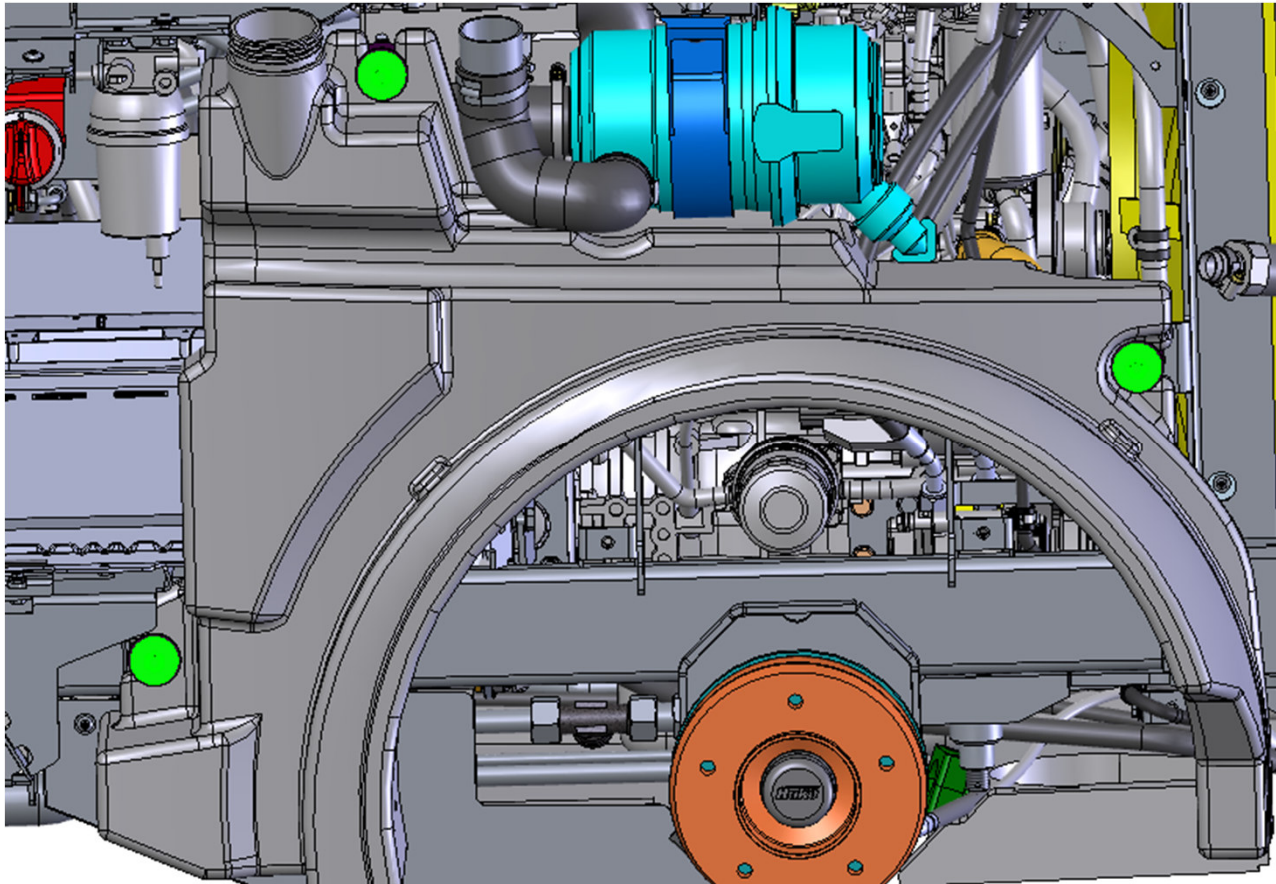


Citymaster 650 1470.15

12.0.2 Disassembly of the fuel tank



- Remove the fuel tank fastening screws and pull out the fuel tank a little.

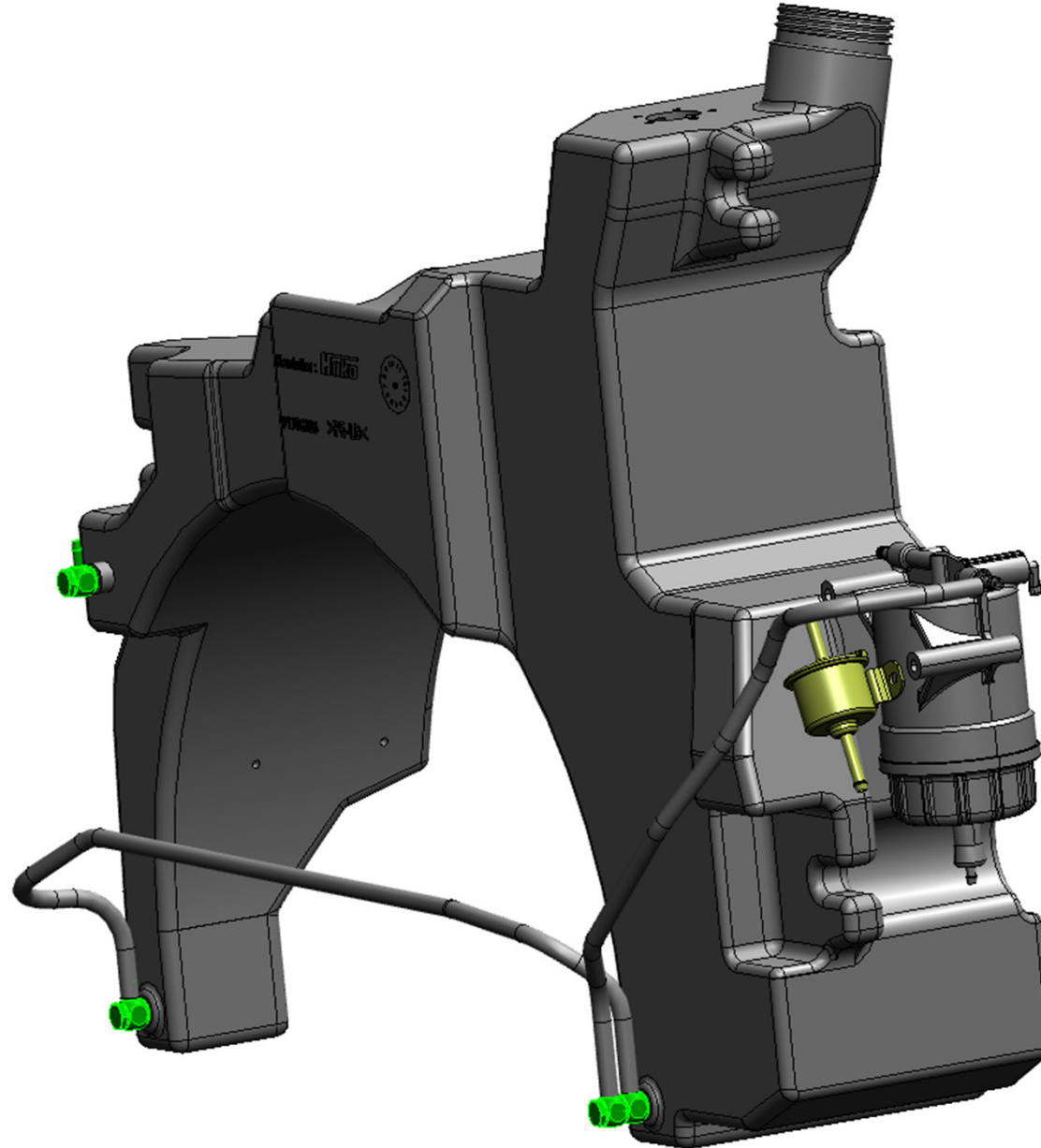


Citymaster 650 1470.15

12.0.2 Disassembly of the fuel tank



- Remove the fuel lines 3x on the back of the fuel tank.



Citymaster 650 1470.15

12.0.2 Disassembly of the fuel tank



- Now the fuel tank can be completely removed.

